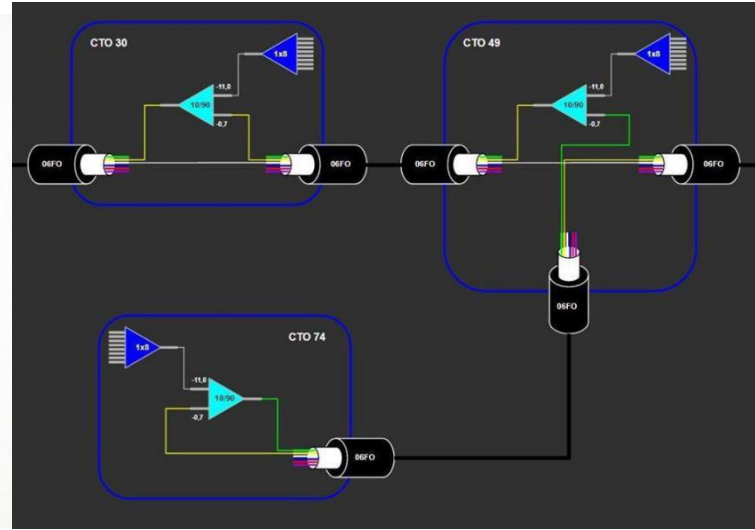
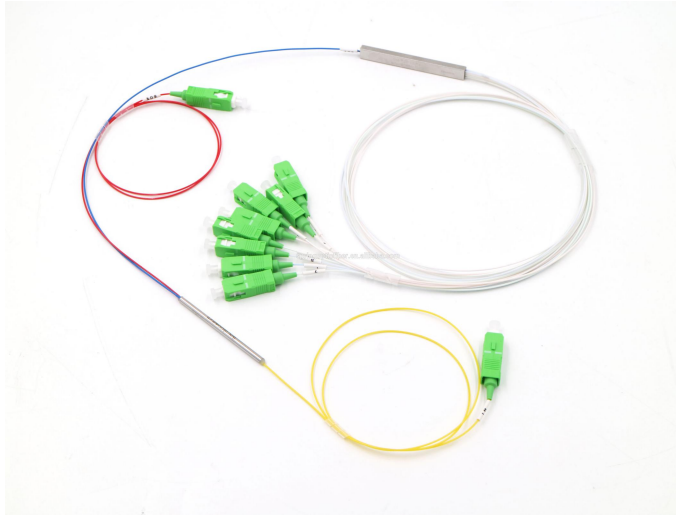


## 1X2 Coupler +1X8 PLC SC APC Hybrid Splitter



### Feature:

1. Low Insertion Loss
2. Low Polarization Dependent Loss
3. Wide Operation Wavelength
4. Wide Operation Temperature
5. Environmental Stability and Reliability
6. High optical return loss
7. Better uniformity
8. Small package size

### Application:

1. FTTH, LAN, PON and Optical CATV
2. Local ring net
3. Optical fiber communication system
4. Optical fiber test equipment
5. Optical fiber sensor

Item	1/99 + 1:8	2/98 + 1:8	5/95 + 1:8	10/90 + 1:8	15/85 + 1:8	20/80 + 1:8	25/75 + 1:8	30/70 + 1:8	35/65 + 1:8	40/60 + 1:8	45/55 + 1:8
Insertion Loss (dB) - outs 1 to 8	32.10	29.20	25.10	21.50	20.10	18.40	17.45	16.50	15.85	15.20	14.65
Insertion Loss (dB) - output with the highest power	0.30	0.40	0.50	0.70	1.00	1.40	1.70	1.90	2.30	2.70	3.15
Polarization Dependent Loss - PDL (dB)	0.2										
Return Loss (dB)	≥ 55										
Directivity (dB)	≥ 55										
Working Wavelength (nm)	1260 ~ 1650										
Operating Temperature (°C)	-25 ~ +75										
Storage Temperature (°C)	-40 ~ +85										
Input Connector Type	SC/APC (Green)										
Output Connector Type	SC/APC (Green)										
Connector Insertion Loss - each (dB)	≤ 0,3										
Connector Return Loss - each (dB)	≥ 60										